

# Model J-CF (G570)

## PARTS CATALOG

First edition, January 2002

Ricoh Company, LTD.

**Model J-CF (G570)**

**PARTS CATALOG**

This catalog gives the numbers and names of parts on this machine.

**CONTENTS**

Model J-CF	(G570)
PT460	(G306)
Platen Cover type 3800C	(G329)
DF73	(G564)
Fax Option	(G307/G324/325)
G3 Interface Unit Type 3800C	
ISDN Option Type 3800C	

**Model J-CF (G570)**

## Model-JCF (G570)

### PARTS CATALOG

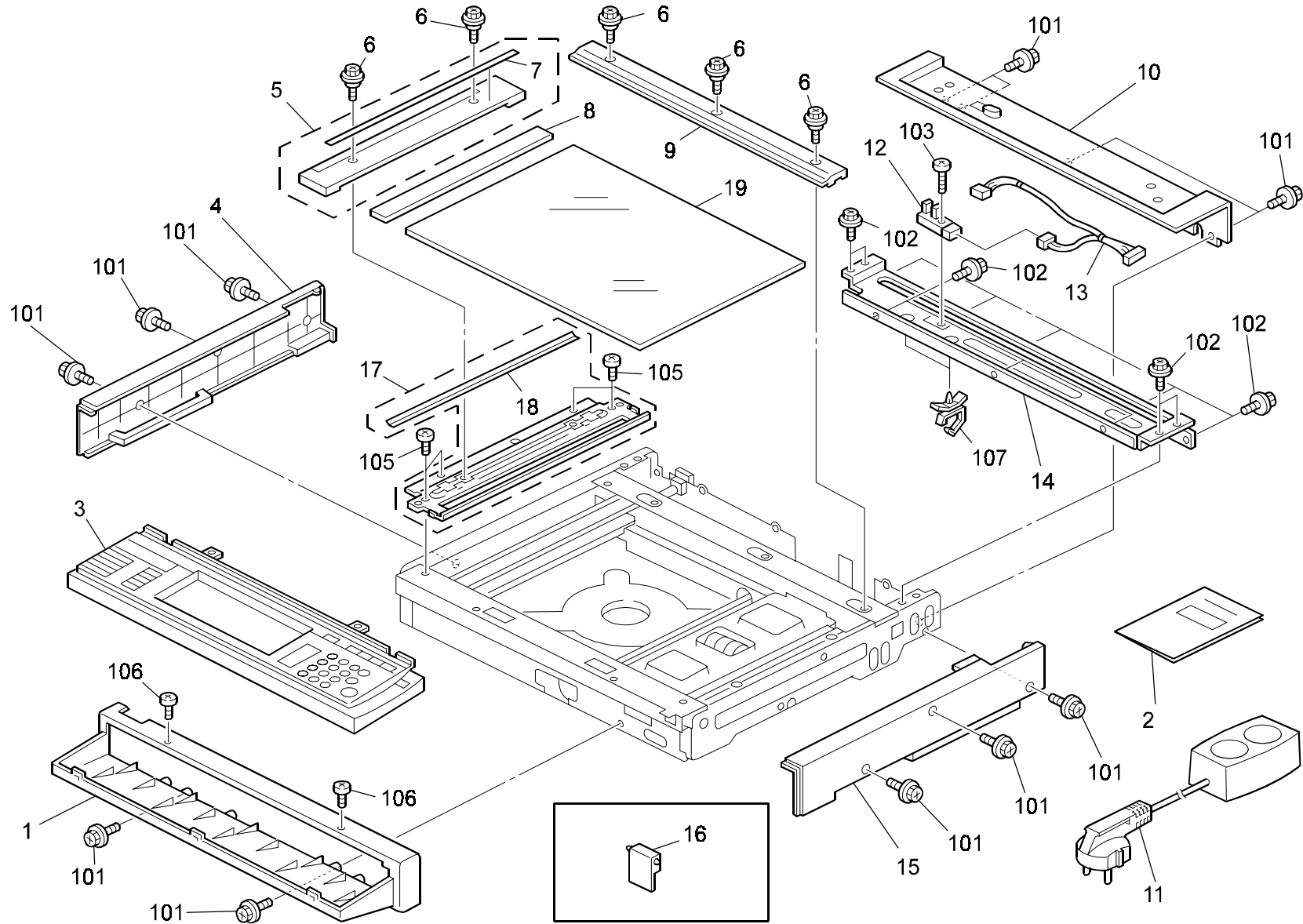
This catalog gives the numbers and names of parts on this machine.

### CONTENTS

1.SCANNER UNIT 1 (G570).....	2
2.SCANNER UNIT 2 (G570).....	4
3.SCANNER UNIT 3 (G570).....	6
4.SCANNER UNIT 4 (G570).....	8
5.SCANNER UNIT 5 (G570).....	10
6.IPU BOARD (G570) .....	12
<b>PARTS INDEX</b> .....	<b>19</b>

January ,15' 2002

# 1. SCANNER UNIT 1 (G570)

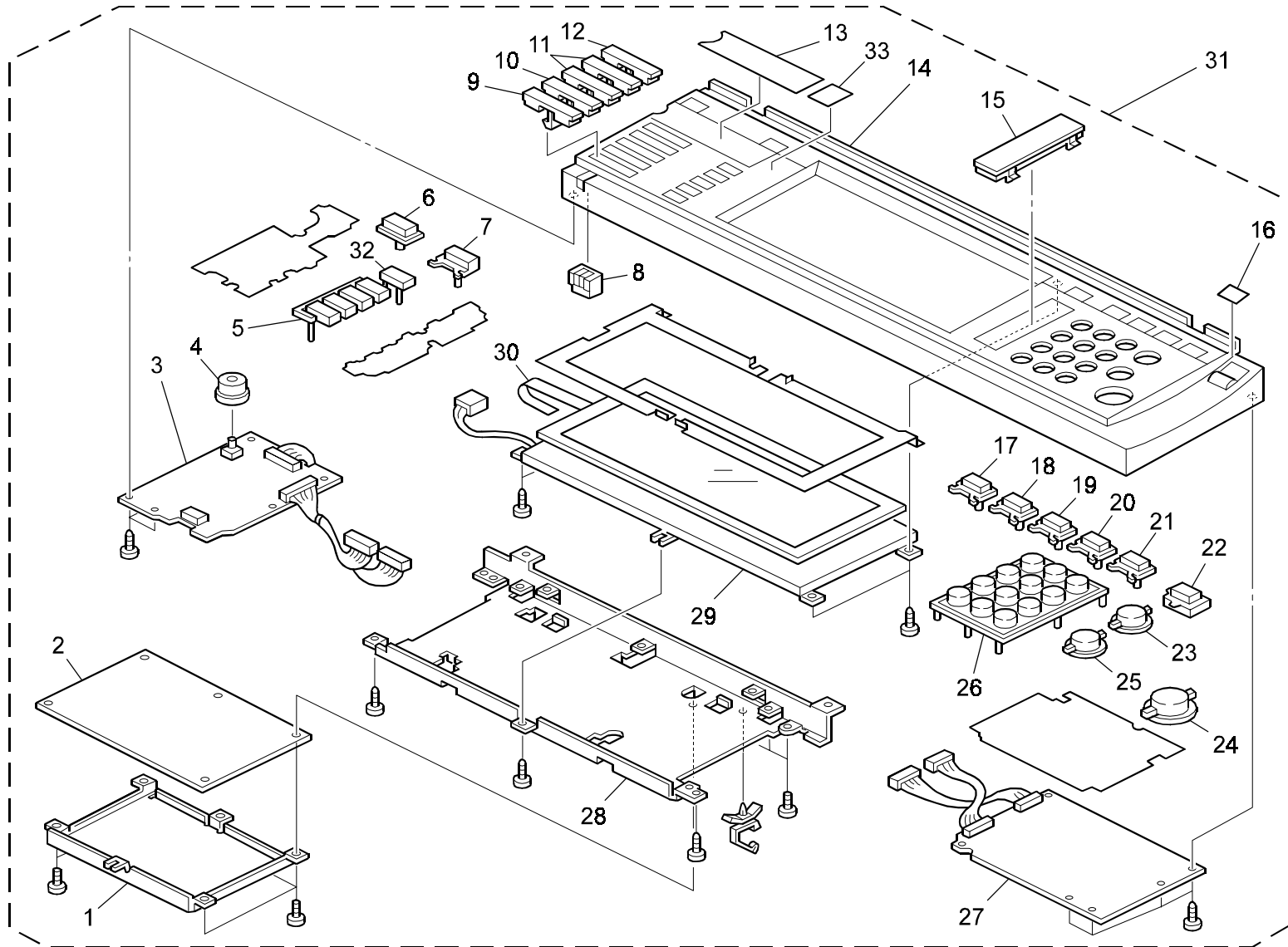


## 1. SCANNER UNIT 1 (G570)

Index No.	Part No.	Description	Q'ty Per Assembly
1	G570 1524	Front Scanner Cover	1
2	G570 8607	Operating Instructions - NA	1
2	G570 8608	Operating Instructions - Asia	1
2	G570 8716	Operating Instructions - Maintenance (NA)	1
2	G570 8718	Operating Instructions - Manitenance (Asia)	1
2	G570 8775	Operating Instructions - Admin (NA)	1
2	G570 8777	Operating Instructions - Admin (Asia)	1
3	G570 2010	Operation Panel Assembly (NA/Asia)	1
3	G570 2020	Operation Panel Assembly (EU)	1
4	G570 1521	Left Scanner Cover	1
5	G564 6521	Left Scale - NA	1
5	G564 6511	Left Scale - EU	1
6	AA14 3520	Shoulder Screw - M3	5
7	B387 6054	Original Scale Decal - LT	1
7	B387 6053	Original Scale Decal - A4	1
8	B351 6522	ADF Exposure Glass	1
9	G570 1245	Rear Scale	1
10	G570 1523	Rear Scanner Cover	1
11	G570 5681	Power Supply Cord - Connecting	1
12	AW02 0100	Photointerrupter - P1CH2MM	1
13	G570 5533	Harness - Photointerruptor	1
14	G570 1554	Bracket - Hinge	1
15	G570 1522	Right Scanner Cover	1
16	G570 1580	Cover - Main Switch	1
17	G570 1255	Left Scale Bracket	1
18	B351 6523	Seal - ADF Exposure Glass	1
19	A250 1752	Exposure Glass	1

Index No.	Part No.	Description	Q'ty Per Assembly
101	0451 3008H	Tapping Screw - M3x8	
102	0451 3006B	Tapping Screw - M3x6	
103	0314 0120B	Philips Pan Head Screw - M4x12	
104	1105 0516	Clamp	
105	0453 3006B	Tapping Screw - M3x6	
106	0353 0050H	Screw - M3X5	
107	1105 0511	Harness Clamp - LWS-0306ZC	

## 2.SCANNER UNIT 2 (G570)



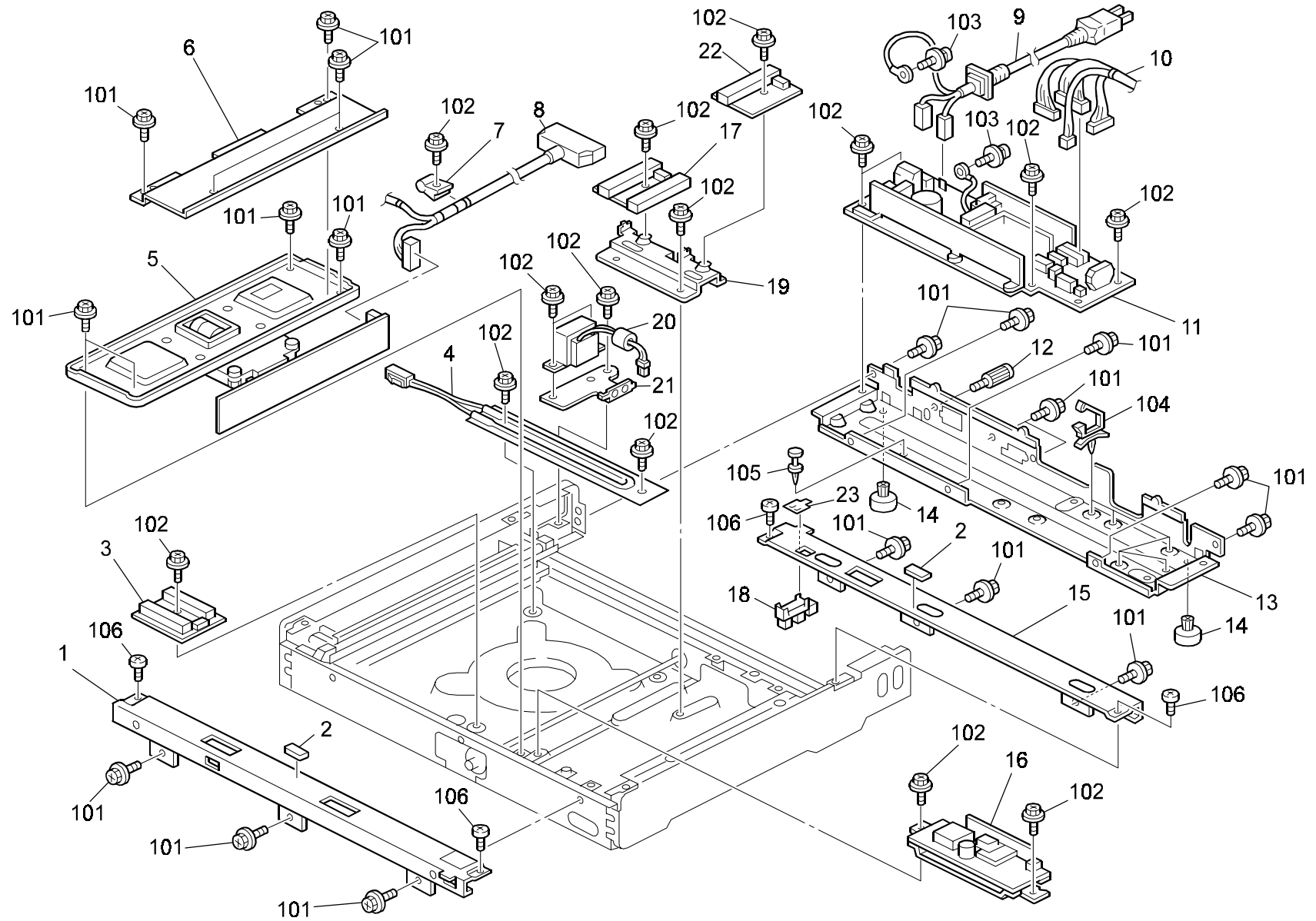
## 2.SCANNER UNIT 2 (G570)

Index No.	Part No.	Description	Q'ty Per Assembly
1	B004 1521	LCDC Cover	1
2	G570 5051	LCD Controller - NA	1
2	G570 5052	LCD Controller - EU	1
3	G570 1990	Operation Panel - Left	1
4	G570 1964	Knob - Contrast	1
5	G570 1953	Keytop - Collar Choice	1
6	G570 1951	Keytop - Counter	1
7	G570 1948	Keytop - Collor Adjust	1
8	G570 1972	Lens - Data Input	1
9	G570 2067	Keytop Scanner - NA	1
9	G570 2077	Keytop Scanner - EU	1
10	G570 2066	Keytop Printer - NA	1
10	G570 2076	Keytop Printer - EU	1
11	G570 1963	Keytop Switch - Large	2
12	G570 2063	Keytop Copy - NA	1
12	G570 2073	Keytop Copy - EU	1
13	G570 2080	Sheet LED - English	1
14	G570 2050	Case Operation Panel - NA	1
14	G570 2051	Case Operation Panel - EU	1
15	G570 1971	Keytop Cover - Right	1
16	G570 2068	Sheet Power Source - NA	1
16	G570 2078	Sheet Power Source - EU	1
17	G570 1947	Keytop - Confirm	1
18	G570 1950	Keytop - Block Diagram	1
19	G570 2062	Keytop - Clear Modes	1
20	G570 1946	Keytop - Preheat	1
21	G570 1945	Keytop - Interrupt	1
22	G570 1967	Keytop - Power Source	1
23	G570 1943	Keytop - Try Print	1
24	G570 1941	Keytop - Start/stop	1
25	G570 1942	Keytop - Clear/stop	1
26	G570 2061	Keytop 10key - NA	1
26	G570 1944	Keytop - 10key	1
27	G570 1991	Operation Panel - Right	1
28	G570 1980	Bracket - Operation Panel LCD	1

Index No.	Part No.	Description	Q'ty Per Assembly
29	B004 5216	LCD - HVGA U14 B1	1
30	A229 5216	Touch Panel	1
31	G570 2010	Operation Panel Assembly (NA/Asia)	1
31	G570 2020	Operation Panel Assembly (EU)	1
32	G570 1957	Keytop Switch - Small	1
33	G570 1966	Sheet - Collar C	1



### 3.SCANNER UNIT 3 (G570)

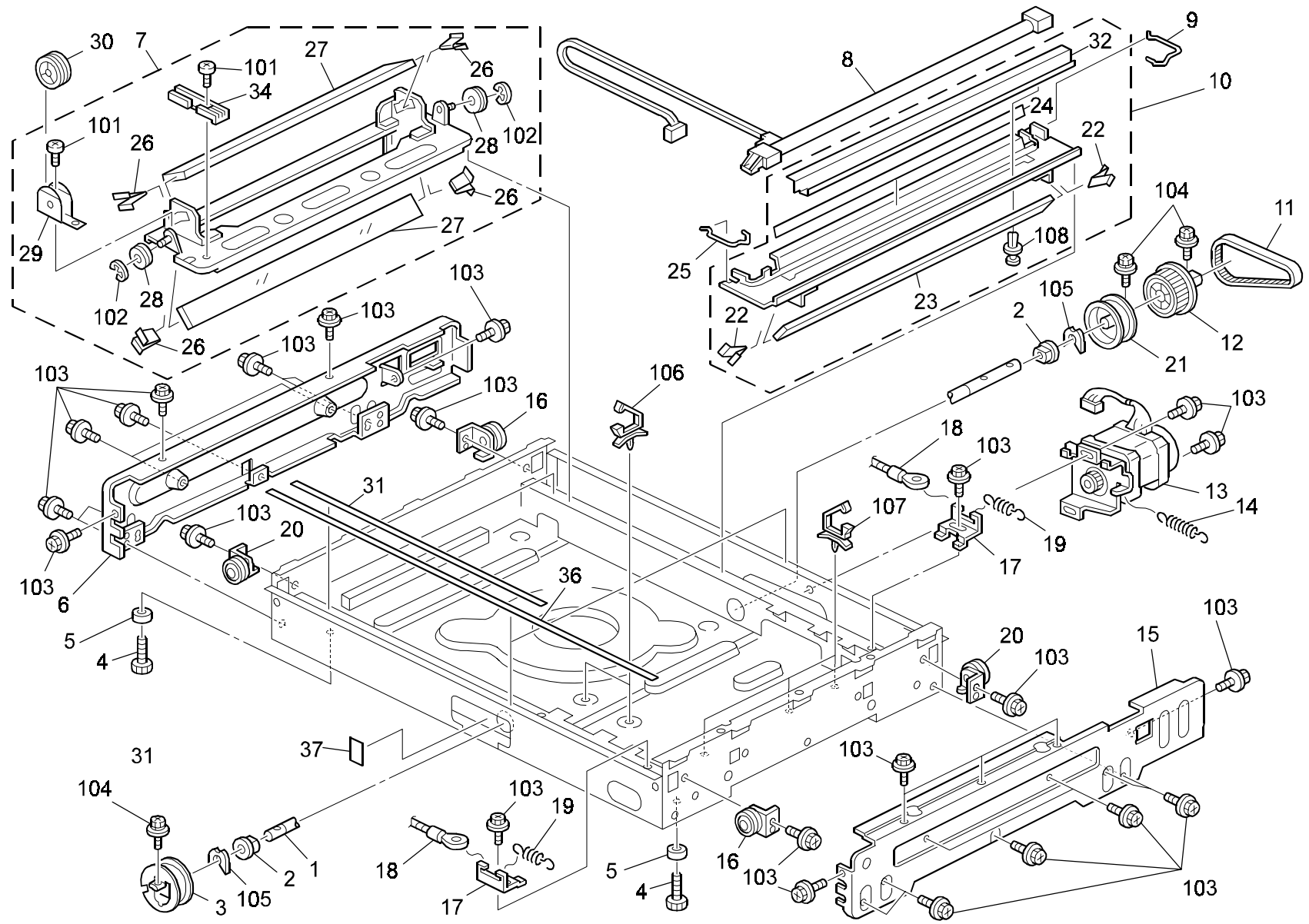


### 3. SCANNER UNIT 3 (G570)

Index No.	Part No.	Description	Q'ty Per Assembly
1	G570 1043	Scanner Front Frame	1
2	5442 1924	Exposure Glass Cushion	1
3	AW01 0095	Original Sensor - H=81.5	1
4	A250 1821	Heater - 9W (120V)	1
4	A250 1822	Heater - 9W (230V)	1
5	G570 2921	Lens Block	1
6	G570 1221	Inner Cover	1
7	G570 1555	Plate - Cable	1
8	G570 5531	Image Processing Unit	1
9	G570 5675	Power Supply Cord - NA	1
9	G570 5677	Power Supply Cord - EU	1
10	G570 5530	Harness - Scanner DC	1
11	AZ24 0063	DC Power Supply - 120W (NA)	1
11	AZ24 0064	DC Power Supply - 120W (EU)	1
12	A628 3115	Knob Screw - M4	1
13	G570 1553	Scanner Frame - Rear	1
14	G570 1540	Rubber Foot H=10	2
15	G570 1042	Scanner Rear Frame	1
16	G570 5415	Stabilizer	1
17	AW01 0056	Original Sensor - H=2-66	1
18	AW02 0120	Photointerruptor - Flat	1
19	G570 1040	Bracket - Original Sensor	1
20	G570 5904	Choke Coil - EU	1
21	G570 1556	Bracket - Choke Coil	1
22	AW01 0059	Original Sensor - H=1-66	1
23	A193 1793	Scanner Home Sensor Stopper	1

Index No.	Part No.	Description	Q'ty Per Assembly
101	0451 3006B	Tapping Screw - M3x6	
102	0802 5276	Tapping Screw With Washer - M3x6	
103	0954 4008B	Philips Screw - M4x8	
104	1105 0488	Harness Clamp	
105	1105 0362	Spacer - M8	
106	0453 3006B	Tapping Screw - M3x6	

# 4. SCANNER UNIT 4 (G570)

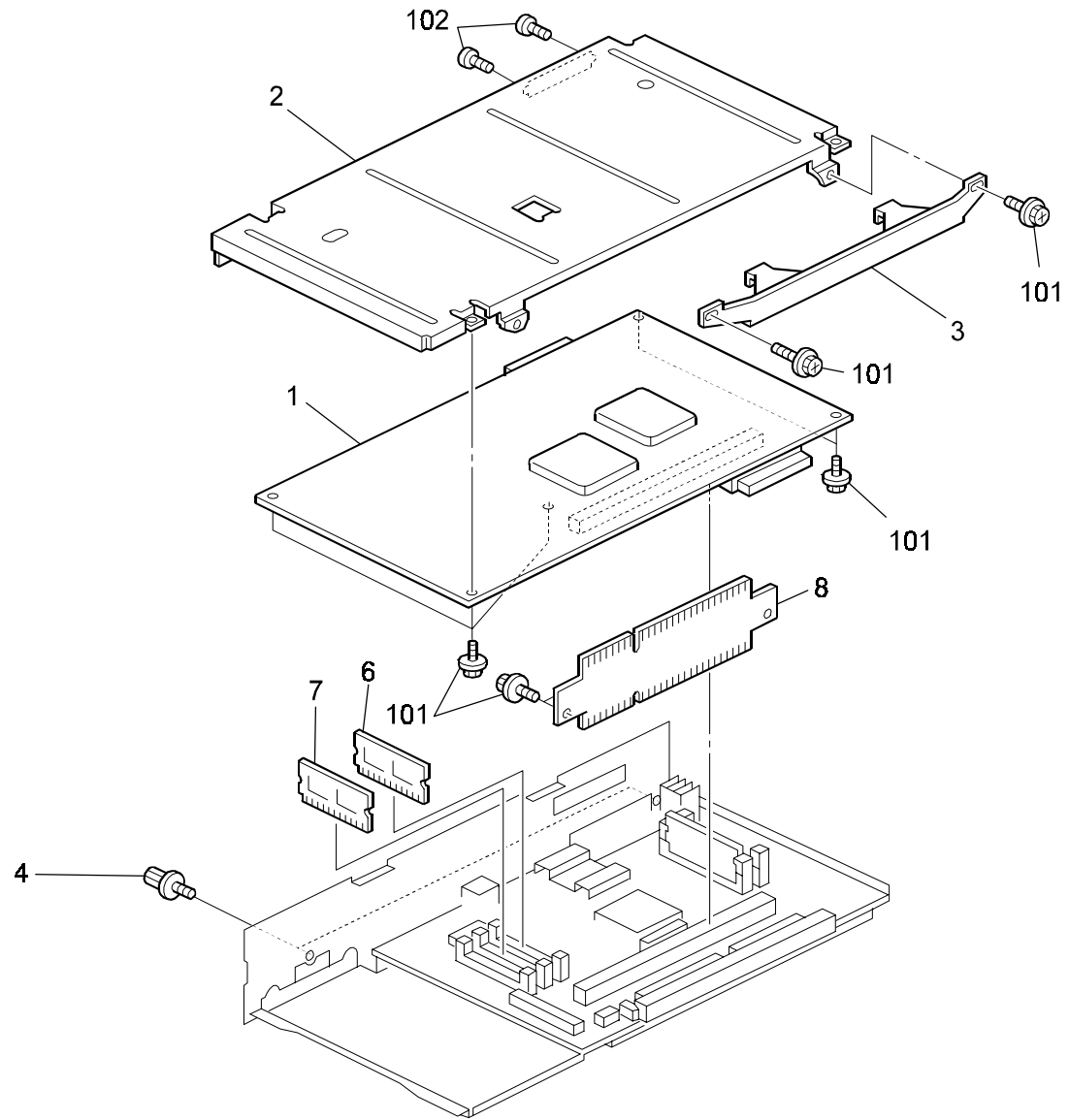


#### 4. SCANNER UNIT 4 (G570)

Index No.	Part No.	Description	Q'ty Per Assembly
1	G570 1132	Scanner Drive Shaft	1
2	AA08 2104	Bushing - 8x12x7	2
3	G570 1142	Front Pulley Drive Wire	1
4	G570 1542	Adjusting Screw - Scanner	2
5	G570 1543	Spacer - Adjusting Screw	2
6	G570 1551	Scanner Frame - Left	1
7	G570 2820	2nd Nirror Carriage	1
8	G570 2725	Xenon Lamp - MM8	1
9	A193 1769	Clamp - Rear Wire	1
10	G570 2720	1st Mirror Carriage	1
11	AA04 3935	Timing Belt - S1.5M236	1
12	G570 1133	Timing Pulley 73	1
13	G570 1150	Stepper Motor	1
14	A193 1784	Tension Spring	1
15	G570 1552	Scanner Frame - Right	1
16	A267 1853	Pulley - Front Left	2
17	G570 1136	Tension Bracket	2
18	AA05 0110	Drive Wire - Mm1.0	2
19	A193 1783	Tension Spring	2
20	A267 1854	Pulley - REAR LEFT	2
21	G570 1147	Rear Pulley - Drive Wire	1
22	A193 1767	1st Mirror Holder	2
23	AC03 0142	1st Mirror	1
24	A100 1714	Reflector	1
25	A193 1766	Wire Clamp	1
26	G404 2810	Spring Plate - 2nd Mirror	4
27	G570 2826	2nd Mirror Carriage	2
28	A267 1855	Wire Pulley - M18	2
29	G570 2833	Pulley Holder	1
30	G570 2834	Pulley - High Voltage Supply Cord	1
31	G570 1030	2nd Slide Rail	2
32	G570 2733	Shielding Plate	1
33	G570 2730	Slider - Scanner	4
34	G570 2832	Guide - High Voltage Supply Cord	1
35	A250 1791	2nd Scanner Shoe	4

Index No.	Part No.	Description	Q'ty Per Assembly
36	A193 1816	1st Slide Rail	2
37	G570 1160	Spacer Bushing	1
101	0353 0050B	Philips Truss Head Screw - M3x5	
102	0720 0040B	Retaining Ring - M4	
103	0451 3006B	Tapping Screw - M3x6	
104	0804 6075	Hexagonal Bolt - M3x8	
105	0805 0088	Retaining Ring - M6	
106	1105 0516	Clamp	
107	1105 0488	Harness Clamp	
108	0353 0050H	Screw - M3X5	

# 5. SCANNER UNIT 5 (G570)



## 5. SCANNER UNIT 5 (G570)

Index No.	Part No.	Description	Q'ty Per Assembly
1	G570 5341	IPU Board	1
2	G570 5405	Bracket - Image Processing Unit	1
3	G570 5406	Bracket - Bridge Board	1
4	G034 2993	Flanged Hexagonal Head Bolt - M3x6	4
5	G570 5407	Bracket - RAM	1
6	G570 5335	DIMM 1 - System	1
7	G570 5339	DIMM 2 - Printer/Scanner	1
8	G570 5340	Bridge Board	1



Index No.	Part No.	Description	Q'ty Per Assembly
101	0451 3006B	Tapping Screw - M3x6	
102	0801 0213	Screw - M2.6X8	

## 6.IPU BOARD (G570)

### CAPACITOR

SYMBOL NO.	INDEX NO.	SYMBOL NO.	INDEX NO.	SYMBOL NO.	INDEX NO.	SYMBOL NO.	INDEX NO.	SYMBOL NO.	INDEX NO.	SYMBOL NO.	INDEX NO.	SYMBOL NO.	INDEX NO.
C1	147	C11	188	C21	192	C31	192	C41	187	C51	147	C61	192
C2	192	C12	181	C22	192	C32	192	C42	192	C52	187	C62	148
C3	189	C13	188	---	---	C33	192	C43	187	C53	192	C63	192
C4	147	C14	181	C24	192	C34	192	C44	147	C54	147	C64	192
C5	147	C15	188	C25	187	C35	192	C45	192	C55	192	C65	144
C6	192	C16	181	C26	192	C36	187	C46	192	C56	192	C66	191
C7	181	C17	188	C27	192	C37	192	C47	187	C57	187	---	---
C8	192	---	---	C28	144	C38	192	C48	147	C58	187	C68	144
C9	181	C19	192	---	---	C39	187	C49	147	C59	192	C69	144
C10	181	C20	192	C30	192	C40	192	C50	147	C60	192	C70	192

### CAPACITOR

SYMBOL NO.	INDEX NO.	SYMBOL NO.	INDEX NO.	SYMBOL NO.	INDEX NO.	SYMBOL NO.	INDEX NO.	SYMBOL NO.	INDEX NO.	SYMBOL NO.	INDEX NO.	SYMBOL NO.	INDEX NO.
C71	192	C91	192	C101	192	C161	192	C171	192	C181	147	C191	192
C72	184	C92	192	C102	192	C162	192	C172	187	C182	192	C192	192
C73	185	C93	192	C104	192	C163	182	C173	192	C183	187	C193	191
C76	192	C94	192	---	---	C164	182	C174	187	C184	192	C194	187
C77	192	C95	189	C105	192	C165	192	C175	192	C185	187	C195	192
C86	192	C96	192	C125	192	C166	187	C176	192	C186	192	C196	187
C87	192	C97	192	---	---	C167	192	C177	192	C187	187	C197	192
C88	192	C98	192	C138	192	C168	192	C178	187	C188	147	C198	192
C89	192	C99	192	C156	192	C169	147	C179	192	C189	147	C199	192
C90	192	C100	192	C157	148	C170	187	C180	147	C190	192	C200	147

## 6.IPU BOARD (G570)

### CAPACITOR

SYMBOL NO.	INDEX NO.	SYMBOL NO.	INDEX NO.	SYMBOL NO.	INDEX NO.	SYMBOL NO.	INDEX NO.	SYMBOL NO.	INDEX NO.	SYMBOL NO.	INDEX NO.	SYMBOL NO.	INDEX NO.
C201	147	C211	192	C227	192	C242	187	C261	192	C271	144	C281	183
C202	192	C212	187	C228	187	C243	192	C262	192	C272	---	C282	186
C203	187	C213	192	C229	147	C244	192	C263	187	----	----	C283	146
C204	192	C214	187	C230	147	----	----	C264	192	----	----	C284	---
----	----	C215	192	C231	192	----	----	C265	192	C275	144	C285	---
----	----	C216	187	C232	187	C256	187	C266	192	C276	145	C286	190
C207	187	C217	192	C233	192	C257	192	C267	144	C277	192	C287	190
C208	192	C218	192	C234	187	C258	192	----	----	C278	145	C288	192
C209	147	----	----	C237	192	C259	187	C269	144	C279	192	C289	192
C210	147	----	----	C238	192	C260	187	C270	144	C280	182	C290	192

### CAPACITOR

SYMBOL NO.	INDEX NO.
C291	192
C292	192
C293	192
C294	192
C295	192
C296	192
C297	192
C298	192
C299	192
C300	192

### CONNECTOR

SYMBOL NO.	INDEX NO.
C301	192
C302	192
C303	192
C304	192
C305	192
C306	192
C307	192

SYMBOL NO.	INDEX NO.
CN401	101
CN402	104
CN403	105
CN411	103
CN490	---
CN491	102
CN492	---
CN499	103

### DIODE

SYMBOL NO.	INDEX NO.
D1	111
D2	111

### FILTER

SYMBOL NO.	INDEX NO.
FIL2	149
FIL7	143
FIL10	149
----	----
FIL12	143
----	----
----	----
----	----
FIL29	149
----	----

SYMBOL NO.	INDEX NO.
----	----
FIL32	153
FIL33	153
FIL34	153
FIL35	153
----	----
FIL37	149
FIL38	149
FIL39	149
FIL40	149

SYMBOL NO.	INDEX NO.
FIL41	149
FIL42	149
FIL43	149
FIL44	149
FIL45	149
FIL46	149
FIL47	149
FIL48	149
FIL49	149
FIL50	149



## 6.IPU BOARD (G570)

### FUSE

SYMBOL NO.	INDEX NO.
FU1	106

### IC

SYMBOL NO.	INDEX NO.
IC1	122
IC2	122
IC3	124
----	---
IC5	1
IC6	---
IC7	124
IC8	124
IC9	124
IC10	122

SYMBOL NO.	INDEX NO.
IC11	122
IC12	136
IC13	114
IC14	115
----	---
IC16	114
IC17	114
IC18	119
IC19	127
IC20	134

SYMBOL NO.	INDEX NO.
----	---
IC22	2
IC23	130
IC24	125
IC25	120
IC30	193
IC31	193
IC32	121
----	---
IC35	116

SYMBOL NO.	INDEX NO.
IC36	129
IC37	117
----	---
IC46	130
IC49	134
IC50	127
IC52	3
IC59	123
IC62	124
IC63	124

SYMBOL NO.	INDEX NO.
IC909	115
IC910	131
IC911	131
IC912	132
IC913	113
IC915	126
IC916	126
IC917	126
IC918	133
IC919	4

SYMBOL NO.	INDEX NO.
IC920	128
IC921	128
IC922	128
IC950	---
IC952	113
IC953	118

### JP

SYMBOL NO.	INDEX NO.
JP12	154
JP16	154
JP28	154
JP29	154
JP50	154
JP52	154
JP53	154
JP73	154
JP74	154
JP75	154

SYMBOL NO.	INDEX NO.
JP76	154
JP78	154
JP79	154
JP82	154

### L

SYMBOL NO.	INDEX NO.
L1	150
L2	152
L3	151

### LED

SYMBOL NO.	INDEX NO.
LED5	112
LED6	112
LED7	112
LED8	112
LED9	---
LED10	---
LED11	---
LED12	---
LED13	---
LED14	---

SYMBOL NO.	INDEX NO.
LED15	---
LED16	---

### OSC

SYMBOL NO.	INDEX NO.
OSC1	138
OSC3	139

### Q

SYMBOL NO.	INDEX NO.
Q1	110
Q2	110
Q4	109

## 6.IPU BOARD (G570)

### RESISTOR

SYMBOL NO.	INDEX NO.	SYMBOL NO.	INDEX NO.	SYMBOL NO.	INDEX NO.	SYMBOL NO.	INDEX NO.	SYMBOL NO.	INDEX NO.	SYMBOL NO.	INDEX NO.	SYMBOL NO.	INDEX NO.
R1	174	R11	157	----	----	----	----	R41	158	R51	158	----	----
R2	162	R12	157	----	----	----	----	R42	---	R52	158	R62	---
R3	158	R13	157	----	----	R33	158	R43	180	R53	158	R63	173
----	----	R14	---	----	----	R34	158	R44	169	R54	158	R64	160
----	----	R15	---	----	----	R35	158	R45	165	R55	158	R65	168
R6	157	R16	---	R26	175	R36	158	R46	165	R56	158	R66	163
R7	157	R17	---	R27	175	R37	158	R47	165	----	----	R67	163
R8	157	R18	---	R28	175	R38	165	R48	165	----	----	----	----
R9	157	----	----	R29	175	R39	165	R49	158	R59	165	R69	158
R10	157	R20	158	R30	----	R40	165	R50	158	R60	165	R70	158

### RESISTOR

SYMBOL NO.	INDEX NO.	SYMBOL NO.	INDEX NO.	SYMBOL NO.	INDEX NO.	SYMBOL NO.	INDEX NO.	SYMBOL NO.	INDEX NO.	SYMBOL NO.	INDEX NO.	SYMBOL NO.	INDEX NO.
R71	165	R90	158	R101	160	R111	169	----	----	----	----	R142	165
----	----	R91	158	----	----	R112	169	----	----	----	----	R145	165
----	----	R92	158	R103	165	----	----	R123	158	----	----	R146	165
----	----	R93	158	R104	165	R114	158	R124	158	R132	158	R147	165
----	----	R94	158	R105	169	R115	165	R125	158	R134	158	R148	165
----	----	R95	180	R106	169	R116	165	R126	165	R135	165	R156	156
----	----	R96	178	R107	158	R117	165	R127	165	----	----	R157	156
----	----	R97	158	R108	161	----	----	R128	169	R136	165	R158	156
----	----	R98	158	R109	164	----	----	R129	172	R137	158	R159	156
R86	166	R99	158	R110	169	----	----	R130	167	R138	158	R160	156
R89	165	R100	158							----	----		

## 6.IPU BOARD (G570)

### RESISTOR

SYMBOL NO.	INDEX NO.	SYMBOL NO.	INDEX NO.	SYMBOL NO.	INDEX NO.	SYMBOL NO.	INDEX NO.	SYMBOL NO.	INDEX NO.	SYMBOL NO.	INDEX NO.	SYMBOL NO.	INDEX NO.
R161	156	R171	163	R181	158	R191	164	R201	168	R211	168	R221	168
R162	158	---	---	---	---	R192	---	R202	168	R212	168	R222	168
R163	156	R173	163	R183	170	R193	---	R203	168	R213	168	R223	168
R164	164	R174	157	---	---	R194	---	R204	168	R214	168	R224	168
R165	165	R175	176	R185	171	R195	---	R205	168	R215	168	R225	168
R166	157	R176	179	---	---	R196	---	R206	168	R216	168	R226	168
R167	163	R177	177	R187	165	R197	---	R207	168	R217	168	R227	168
R168	163	R178	176	R188	158	R198	---	R208	168	R218	168	R228	168
R169	157	R179	158	R189	158	R199	---	R209	168	R219	168	R229	168
R170	163	R180	158	R190	158	R200	157	R210	168	R220	168	R230	168

### RESISTOR

SYMBOL NO.	INDEX NO.	SYMBOL NO.	INDEX NO.
R231	165	R241	163
R232	157	R242	157
R233	155	R243	157
R234	155	R244	157
R235	155	R245	168
R236	155	R246	168
R237	168	R247	168
R238	168	R248	158
R239	168	R249	158
R240	168	R250	158

SYMBOL NO.	INDEX NO.
R251	158

### REG

SYMBOL NO.	INDEX NO.
REG1	135
REG2	137
REG3	137

### RN

SYMBOL NO.	INDEX NO.
---	---
RN7	142
RN8	142
RN9	142
RN10	142
RN11	142
RN12	142
RN13	140
RN14	140
RN15	140

SYMBOL NO.	INDEX NO.
RN16	140
RN17	140
RN18	140
RN19	140
RN20	140
RN23	142
RN24	142
RN25	142
RN26	142
RN27	142

SYMBOL NO.	INDEX NO.
RN28	140
RN29	142
RN30	140
RN31	140
RN32	141
RN33	140
RN52	140
RN53	140
RN54	140
RN55	140

SYMBOL NO.	INDEX NO.
RN56	142
RN57	142
RN58	142
RN59	142
RN60	142
RN61	142
RN62	142
RN63	142
RN64	142
RN65	142

## 6.IPU BOARD (G570)

### RN

SYMBOL NO.	INDEX NO.
RN66	142
RN67	142
RN68	142
RN69	142
RN70	142
RN71	142
RN72	142
RN73	142
RN74	142
RN75	142

SYMBOL NO.	INDEX NO.
RN76	142
RN77	142
RN78	142
RN79	142
RN80	142
RN81	142
RN82	142
RN83	142
RN84	142
RN85	142

SYMBOL NO.	INDEX NO.
RN86	142
RN87	142
RN88	142
RN90	140
RN91	140
RN92	140
RN93	140
RN94	140
RN95	140
RN96	140

SYMBOL NO.	INDEX NO.
RN98	140
RN109	142
RN110	142
RN111	142
RN112	142
RN113	142
RN114	142
RN115	142

### SW

SYMBOL NO.	INDEX NO.
SW1	107
SW2	108

### T

SYMBOL NO.	INDEX NO.
T81	---
T82	---

### TP

SYMBOL NO.	INDEX NO.
TP1	---
TP2	---
TP3	---
TP5	---
TP6	---
TP7	---
TP8	---
TP9	---
TP10	---

### TP

SYMBOL NO.	INDEX NO.
TP11	---
TP12	---
TP13	---
TP14	---
TP15	---
TP16	---
TP17	---
TP18	---
TP19	---
TP20	---

SYMBOL NO.	INDEX NO.
TP21	---
TP22	---
TP23	---
TP24	---
TP25	---
TP26	---
TP27	---
TP28	---
TP29	---
TP32	---

SYMBOL NO.	INDEX NO.
TP35	---

## 6.IPU BOARD (G570)

Index No.	Part No.	Description	Q'ty Per Assembly
*	G570 5341	IPU Board	1
1	B017 5103	IC - KS5M9U1210CFP	1
2	B017 5104	IC - MB8711650	1
3	G570 5372	IC - MB87J4253	1
4	G570 5373	IC - RF5C609	1

Index No.	Part No.	Description	Q'ty Per Assembly
101	1102 7625	Connector - TX24-80R-LT-N1	
102	1102 7835	Connector - B3B	
103	1102 8153	Connector - FCN-568P068-G/05A-V4	
104	1102 8583	Connector - 440024-1	
105	1102 8721	Connector - 10268-55F3JL	
106	1107 0980	Fuse - R4331.25	
107	1204 1543	DIP Switch	
108	1204 2373	Key Board Switch - SkqdpA	
109	1400 0392	Transistor - DTC114EK	
110	1401 1152	Fet Array - HAT1025R	
111	1402 1444	Diode - RB051L-40	
112	1403 0996	LED - SML-310VT	
113	1407 1596	TTLIC - SN74LS14NS	
114	1407 2187	TTLIC - SN74LS07NS	
115	1407 2218	TTLIC - SN74LS06NS	
116	1407 2463	TTL - IC - SN74ALS08NS	
117	1407 2588	TTLIC - SN74ALS04BNS	
118	1407 3107	IC - SN74ALS161BNS	
119	1407 3825	IC - SN74ALS244A-1NS	
120	1407 4959	IC - MC68334GCFC20	
121	1407 4963	IC - MBM29F800TA-70pFTN	
122	1407 5037	IC - MSM5412222-25JS	
123	1407 5174	CMOS - SN74LVC04APW	
124	1407 5179	IC - ABT374 SOP	
125	1407 5287	Clock Generator - W180-03G	
126	1407 5321	CMOS Logic - 74LVCH16374A TSSOP	
127	1407 5366	IC - 74LVC08A TSSOP	
128	1407 5368	IC - 74LVC245A TSSOP	
129	1407 5369	IC - SN74AHCT32PW	
130	1407 5386	IC - 74LVC244A-SOP	
131	1407 5447	LVDS SN75LVDS86ADGG	
132	1407 5492	IC - SN74ALVC04PW	
133	1407 5500	IC - SN74ALVC08PW	
134	1408 0575	IC - M51957BFP	
135	1408 1296	Voltage Regulator - RN5RZ33B	

Index No.	Part No.	Description	Q'ty Per Assembly
136	1408 1514	IC - M62293FP	
137	1408 1593	Series Regulator - L1087MP-ADJ	
138	1503 0460	Oscillator - 32.768KHZ	
139	1503 0697	Crystal Oscilator Ma-406 20mhz	
140	1601 7752	Resistor Array - 10K $\Omega$ $\pm$ 5%	
141	1601 7814	Resistor - 3.3K $\Omega$ $\pm$ 5%	
142	1601 7867	Resistor - 33 $\Omega$ $\pm$ 5% 1/16W	
143	1602 0987	Capacitor & Coil - 270pF 100V	
144	1604 4365	Capacitor - 470 $\mu$ F16v $\pm$ 20%	
145	1604 4524	Capacitor - 10 $\mu$ F $\pm$ 20% 10V	
146	1605 0781	Capacitor - 5pF 50V	
147	1605 0976	Capacitor - 1 $\mu$ F+80% -20% 10V	
148	1605 1161	Capacitor - 0.33 $\mu$ F $\pm$ 10% 10V	
149	1607 0926	Filter - Acf321825-680	
150	1607 1220	Inductor - 100 $\mu$ H $\pm$ 20% 1.9A	
151	1607 1221	Inductor - 150 $\mu$ H $\pm$ 20% 1.5A	
152	1607 1291	Inductor - 68 $\mu$ H $\pm$ 20% 2A	
153	1607 1370	Filter - Acf321825-330	
154	1634 0000	Resistor - 0 $\Omega$ 1/16W	
155	1650 3241	Resistor - 240 $\Omega$ $\pm$ 5%1/8W	
156	1650 4100	Resistor - 10 $\Omega$ $\pm$ 5% 1/10W	
157	1650 4101	Resistor - 100 $\Omega$ $\pm$ 5%1/10W	
158	1650 4103	Resistor - 10K $\Omega$ $\pm$ 5% 1/10W	
159	1650 4105	Resistor - 1M $\Omega$ $\pm$ 5% 1/10W	
160	1650 4106	Resistor - 10M $\Omega$ $\pm$ 5%1/10W	
161	1650 4202	Resistor - 2K $\Omega$ $\pm$ 5%1/10W	
162	1650 4203	Resistor - 20K $\Omega$ $\pm$ 5% 1/10W	
163	1650 4220	Chip Resistor - 22 $\Omega$ $\pm$ 5% 1/10W	
164	1650 4222	Resistor - 2.2K $\Omega$ $\pm$ 5%1/10W	
165	1650 4330	Chip Resistor - 33 $\Omega$ $\pm$ 5% 1/10W	
166	1650 4332	Resistor - 3.3K $\Omega$ $\pm$ 5%1/10W	
167	1650 4391	Resistor - 390 $\Omega$ $\pm$ 5% 1/10W	
168	1650 4470	Resistor - 47 $\Omega$ $\pm$ 5%1/10W	
169	1650 4472	Resistor - 4.7K $\Omega$ $\pm$ 5% 1/10W	
170	1650 4511	Resistor - 510 $\Omega$ $\pm$ 5%1/10W	

Index No.	Part No.	Description	Q'ty Per Assembly
171	1650 4561	Resistor - 560 $\Omega$ $\pm$ 5% 1/10W	
172	1650 4562	Resistor - 5.6K $\Omega$ $\pm$ 5% 1/10W	
173	1650 4624	Resistor - 620K $\Omega$ $\pm$ 5% 1/10W	
174	1650 4750	Resistor - 75 $\Omega$ $\pm$ 5%1/10W	
175	1650 4751	Resistor - 750 $\Omega$ $\pm$ 5% 1/10W	
176	1653 1500	Resistor - 150 $\Omega$ $\pm$ 1% 1/8W	
177	1653 3309	Resistor - 33 $\Omega$ $\pm$ 1% 1/8W	
178	1653 3921	Resistor - 3.92K $\Omega$ $\pm$ 1% 1/8W	
179	1653 7509	Resistor - 75 $\Omega$ $\pm$ 1% 1/8W	
180	1654 1002	Resistor - 10K $\Omega$ $\pm$ 5%1/10W	
181	1660 2101	Capacitor - 100pF - $\pm$ 10% - 50V	
182	1660 2120	Capacitor - 12 pF $\pm$ 5% 50V	
183	1660 2121	Capacitor - 120pF $\pm$ 5% 50V	
184	1660 2150	Capacitor - 15pF $\pm$ 5% 50V	
185	1660 2180	Capacitor 18pF $\pm$ 5% 50v	
186	1660 2470	Capacitor - 47pF $\pm$ 5% 50V	
187	1660 2471	Capacitor - 470pF - $\pm$ 5% - 50V	
188	1660 4102	Capacitor - 1000pF $\pm$ 10% 50V	
189	1660 4103	Capacitor - 10000pF - $\pm$ 10% - 50V	
190	1660 4222	Capacitor - 2200pF - $\pm$ 10% - 50V	
191	1660 4472	Capacitor - 4700pF $\pm$ 10% 50V	
192	1660 8104	Capacitor - 0.1 $\mu$ F+80-20% 25V	
193	1902 0042	Ram-1m X8 70ns Tsop G2	

# Parts Index

## Parts Index

Part No.	Description	Page and Index No.
G570 1030	2nd Slide Rail	9- 31
G570 1040	Bracket - Original Sensor	7- 19
G570 1042	Scanner Rear Frame	7- 15
G570 1043	Scanner Front Frame	7- 1
G570 1132	Scanner Drive Shaft	9- 1
G570 1133	Timing Pulley 73	9- 12
G570 1136	Tension Bracket	9- 17
G570 1142	Front Pulley Drive Wire	9- 3
G570 1147	Rear Pulley - Drive Wire	9- 21
G570 1150	Stepper Motor	9- 13
G570 1160	Spacer Bushing	9- 37
G570 1221	Inner Cover	7- 6
G570 1245	Rear Scale	3- 9
G570 1255	Left Scale Bracket	3- 17
G570 1521	Left Scanner Cover	3- 4
G570 1522	Right Scanner Cover	3- 15
G570 1523	Rear Scanner Cover	3- 10
G570 1524	Front Scanner Cover	3- 1
G570 1540	Rubber Foot H=10	7- 14
G570 1542	Adjusting Screw - Scanner	9- 4
G570 1543	Spacer - Adjusting Screw	9- 5
G570 1551	Scanner Frame - Left	9- 6
G570 1552	Scanner Frame - Right	9- 15
G570 1553	Scanner Frame - Rear	7- 13
G570 1554	Bracket - Hinge	3- 14
G570 1555	Plate - Cable	7- 7
G570 1556	Bracket - Choke Coil	7- 21
G570 1580	Cover - Main Switch	3- 16
G570 1941	Keytop - Start/stop	5- 24
G570 1942	Keytop - Clear/stop	5- 25
G570 1943	Keytop - Try Print	5- 23
G570 1944	Keytop - 10key	5- 26
G570 1945	Keytop - Interrupt	5- 21
G570 1946	Keytop - Preheat	5- 20
G570 1947	Keytop - Confirm	5- 17

Part No.	Description	Page and Index No.
G570 1948	Keytop - Collor Adjust	5- 7
G570 1950	Keytop - Block Diagram	5- 18
G570 1951	Keytop - Counter	5- 6
G570 1953	Keytop - Collar Choice	5- 5
G570 1957	Keytop Switch - Small	5- 32
G570 1963	Keytop Switch - Large	5- 11
G570 1964	Knob - Contrast	5- 4
G570 1966	Sheet - Collar C	5- 33
G570 1967	Keytop - Power Source	5- 22
G570 1971	Keytop Cover - Right	5- 15
G570 1972	Lens - Data Input	5- 8
G570 1980	Bracket - Operation Panel LCD	5- 28
G570 1990	Operation Panel - Left	5- 3
G570 1991	Operation Panel - Right	5- 27
G570 2010	Operation Panel Assembly (NA/Asia)	3- 3
G570 2010	Operation Panel Assembly (NA/Asia)	5- 31
G570 2020	Operation Panel Assembly (EU)	3- 3
G570 2020	Operation Panel Assembly (EU)	5- 31
G570 2050	Case Operation Panel - NA	5- 14
G570 2051	Case Operation Panel - EU	5- 14
G570 2061	Keytop 10key - NA	5- 26
G570 2062	Keytop - Clear Modes	5- 19
G570 2063	Keytop Copy - NA	5- 12
G570 2066	Keytop Printer - NA	5- 10
G570 2067	Keytop Scanner - NA	5- 9
G570 2068	Sheet Power Source - NA	5- 16
G570 2073	Keytop Copy - EU	5- 12
G570 2076	Keytop Printer - EU	5- 10
G570 2077	Keytop Scanner - EU	5- 9
G570 2078	Sheet Power Source - EU	5- 16
G570 2080	Sheet LED - English	5- 13
G570 2720	1st Mirror Carriage	9- 10
G570 2725	Xenon Lamp - MM8	9- 8
G570 2730	Slider - Scanner	9- 33
G570 2733	Shielding Plate	9- 32



Part No.	Description	Page and Index No.
G570 2820	2nd Nirror Carriage	9- 7
G570 2826	2nd Mirror Carriage	9- 27
G570 2832	Guide - High Voltage Supply Cord	9- 34
G570 2833	Pulley Holder	9- 29
G570 2834	Pulley - High Voltage Supply Cord	9- 30
G570 2921	Lens Block	7- 5
G570 5051	LCD Controller - NA	5- 2
G570 5052	LCD Controller - EU	5- 2
G570 5335	DIMM 1 - System	11- 6
G570 5339	DIMM 2 - Printer/Scanner	11- 7
G570 5340	Bridge Board	11- 8
G570 5341	IPU Board	17- *
G570 5341	IPU Board	11- 1
G570 5372	IC - MB87J4253	17- 3
G570 5373	IC - RF5C609	17- 4
G570 5405	Bracket - Image Processing Unit	11- 2
G570 5406	Bracket - Bridge Board	11- 3
G570 5407	Bracket - RAM	11- 5
G570 5415	Stabilizer	7- 16
G570 5530	Harness - Scanner DC	7- 10
G570 5531	Image Processing Unit	7- 8
G570 5533	Harness - Photointerruptor	3- 13
G570 5675	Power Supply Cord - NA	7- 9
G570 5677	Power Supply Cord - EU	7- 9
G570 5681	Power Supply Cord - Connecting	3- 11
G570 5904	Choke Coil - EU	7- 20
G570 8607	Operating Instructions - NA	3- 2
G570 8608	Operating Instructions - Asia	3- 2
G570 8716	Operating Instructions - Maintenance (NA)	3- 2
G570 8718	Operating Instructions - Manitenance (Asia)	3- 2
G570 8775	Operating Instructions - Admin (NA)	3- 2
G570 8777	Operating Instructions - Admin (Asia)	3- 2

Part No.	Description	Page and Index No.
A100 1714	Reflector	9- 24
A193 1766	Wire Clamp	9- 25
A193 1767	1st Mirror Holder	9- 22
A193 1769	Clamp - Rear Wire	9- 9
A193 1783	Tension Spring	9- 19
A193 1784	Tension Spring	9- 14
A193 1793	Scanner Home Sensor Stopper	7- 23
A193 1816	1st Slide Rail	9- 36
A229 5216	Touch Panel	5- 30
A250 1752	Exposure Glass	3- 19
A250 1791	2nd Scanner Shoe	9- 35
A250 1821	Heater - 9W (120V)	7- 4
A250 1822	Heater - 9W (230V)	7- 4
A267 1853	Pulley - Front Left	9- 16
A267 1854	Pulley - REAR LEFT	9- 20
A267 1855	Wire Pulley - M18	9- 28
A628 3115	Knob Screw - M4	7- 12
B004 1521	LCDC Cover	5- 1
B004 5216	LCD - HVGA U14 B1	5- 29
B017 5103	IC - KS5M9U1210CFP	17- 1
B017 5104	IC - MB8711650	17- 2
B351 6522	ADF Exposure Glass	3- 8
B351 6523	Seal - ADF Exposure Glass	3- 18
B387 6053	Original Scale Decal - A4	3- 7
B387 6054	Original Scale Decal - LT	3- 7
G034 2993	Flanged Hexagonal Head Bolt - M3x6	11- 4
G404 2810	Spring Plate - 2nd Mirror	9- 26
G564 6511	Left Scale - EU	3- 5
G564 6521	Left Scale - NA	3- 5

Part No.	Description	Page and Index No.
AA04 3935	Timing Belt - S1.5M236	9- 11
AA05 0110	Drive Wire - Mm1.0	9- 18
AA08 2104	Bushing - 8x12x7	9- 2
AA14 3520	Shoulder Screw - M3	3- 6
AC03 0142	1st Mirror	9- 23
AW01 0056	Original Sensor - H=2-66	7- 17
AW01 0059	Original Sensor - H=1-66	7- 22
AW01 0095	Original Sensor - H=81.5	7- 3
AW02 0100	Photointerrupter - P1CH2MM	3- 12
AW02 0120	Photointerruptor - Flat	7- 18
AZ24 0063	DC Power Supply - 120W (NA)	7- 11
AZ24 0064	DC Power Supply - 120W (EU)	7- 11

Part No.	Description	Page and Index No.
0314 0120B	Philips Pan Head Screw - M4x12	3-103
0353 0050B	Philips Truss Head Screw - M3x5	9-101
0353 0050H	Screw - M3X5	9-108
0353 0050H	Screw - M3X5	3-106
0451 3006B	Tapping Screw - M3x6	3-102
0451 3006B	Tapping Screw - M3x6	11-101
0451 3006B	Tapping Screw - M3x6	9-103
0451 3006B	Tapping Screw - M3x6	7-101
0451 3008H	Tapping Screw - M3x8	3-101
0453 3006B	Tapping Screw - M3x6	7-106
0453 3006B	Tapping Screw - M3x6	3-105
0720 0040B	Retaining Ring - M4	9-102
0801 0213	Screw - M2.6X8	11-102
0802 5276	Tapping Screw With Washer - M3x6	7-102
0804 6075	Hexagonal Bolt - M3x8	9-104
0805 0088	Retaining Ring - M6	9-105
0954 4008B	Philips Screw - M4x8	7-103
1102 7625	Connector - TX24-80R-LT-N1	17-101
1102 7835	Connector - B3B	17-102
1102 8153	Connector - FCN-568P068-G/05A-V4	17-103
1102 8583	Connector - 440024-1	17-104
1102 8721	Connector - 10268-55F3JL	17-105
1105 0362	Spacer - M8	7-105
1105 0488	Harness Clamp	9-107
1105 0488	Harness Clamp	7-104
1105 0511	Harness Clamp - LWS-0306ZC	3-107
1105 0516	Clamp	3-104
1105 0516	Clamp	9-106
1107 0980	Fuse - R4331.25	17-106
1204 1543	DIP Switch	17-107
1204 2373	Key Board Switch - Skqdp	17-108
1400 0392	Transistor - DTC114EK	17-109
1401 1152	Fet Array - HAT1025R	17-110
1402 1444	Diode - RB051L-40	17-111
1403 0996	LED - SML-310VT	17-112

Part No.	Description	Page and Index No.
1407 1596	TTLIC - SN74LS14NS	17-113
1407 2187	TTLIC - SN74LS07NS	17-114
1407 2218	TTLIC - SN74LS06NS	17-115
1407 2463	TTL - IC - SN74ALS08NS	17-116
1407 2588	TTLIC - SN74ALS04BNS	17-117
1407 3107	IC - SN74ALS161BNS	17-118
1407 3825	IC - SN74ALS244A-1NS	17-119
1407 4959	IC - MC68334GCFC20	17-120
1407 4963	IC - MBM29F800TA-70PFTN	17-121
1407 5037	IC - MSM5412222-25JS	17-122
1407 5174	CMOS - SN74LVC04APW	17-123
1407 5179	IC - ABT374 SOP	17-124
1407 5287	Clock Generator - W180-03G	17-125
1407 5321	CMOS Logic - 74LVCH16374A TSSOP	17-126
1407 5366	IC - 74LVC08A TSSOP	17-127
1407 5368	IC - 74LVC245A TSSOP	17-128
1407 5369	IC - SN74AHCT32PW	17-129
1407 5386	IC - 74LVC244A-SOP	17-130
1407 5447	LVDS SN75LVDS86ADGG	17-131
1407 5492	IC - SN74ALVC04PW	17-132
1407 5500	IC - SN74ALVC08PW	17-133
1408 0575	IC - M51957BFP	17-134
1408 1296	Voltage Regulator - RN5RZ33B	17-135
1408 1514	IC - M62293FP	17-136
1408 1593	Series Regulator - L1087MP-ADJ	17-137
1503 0460	Oscillator - 32.768KHZ	17-138
1503 0697	Crystal Oscillator Ma-406 20mhz	17-139
1601 7752	Resistor Array - 10K $\Omega$ $\pm$ 5%	17-140
1601 7814	Resistor - 3.3K $\Omega$ $\pm$ 5%	17-141
1601 7867	Resistor - 33 $\Omega$ $\pm$ 5% 1/16W	17-142
1602 0987	Capacitor & Coil - 270pF 100V	17-143
1604 4365	Capacitor - 470 $\mu$ F 16v $\pm$ 20%	17-144
1604 4524	Capacitor - 10 $\mu$ F $\pm$ 20% 10V	17-145
1605 0781	Capacitor - 5pF 50V	17-146
1605 0976	Capacitor - 1 $\mu$ F +80% -20% 10V	17-147

Part No.	Description	Page and Index No.
1605 1161	Capacitor - 0.33 $\mu$ F $\pm$ 10% 10V	17-148
1607 0926	Filter - Acf321825-680	17-149
1607 1220	Inductor - 100 $\mu$ H $\pm$ 20% 1.9A	17-150
1607 1221	Inductor - 150 $\mu$ H $\pm$ 20% 1.5A	17-151
1607 1291	Inductor - 68 $\mu$ H $\pm$ 20% 2A	17-152
1607 1370	Filter - Acf321825-330	17-153
1634 0000	Resistor - 0 $\Omega$ 1/16W	17-154
1650 3241	Resistor - 240 $\Omega$ $\pm$ 5%1/8W	17-155
1650 4100	Resistor - 10 $\Omega$ $\pm$ 5% 1/10W	17-156
1650 4101	Resistor - 100 $\Omega$ $\pm$ 5%1/10W	17-157
1650 4103	Resistor - 10K $\Omega$ $\pm$ 5% 1/10W	17-158
1650 4105	Resistor - 1M $\Omega$ $\pm$ 5% 1/10W	17-159
1650 4106	Resistor - 10M $\Omega$ $\pm$ 5%1/10W	17-160
1650 4202	Resistor - 2K $\Omega$ $\pm$ 5%1/10W	17-161
1650 4203	Resistor - 20K $\Omega$ $\pm$ 5% 1/10W	17-162
1650 4220	Chip Resistor - 22 $\Omega$ $\pm$ 5% 1/10W	17-163
1650 4222	Resistor - 2.2K $\Omega$ $\pm$ 5%1/10W	17-164
1650 4330	Chip Resistor - 33 $\Omega$ $\pm$ 5% 1/10W	17-165
1650 4332	Resistor - 3.3K $\Omega$ $\pm$ 5%1/10W	17-166
1650 4391	Resistor - 390 $\Omega$ $\pm$ 5% 1/10W	17-167
1650 4470	Resistor - 47 $\Omega$ $\pm$ 5%1/10W	17-168
1650 4472	Resistor - 4.7K $\Omega$ $\pm$ 5% 1/10W	17-169
1650 4511	Resistor - 510 $\Omega$ $\pm$ 5%1/10W	17-170
1650 4561	Resistor - 560 $\Omega$ $\pm$ 5% 1/10W	17-171
1650 4562	Resistor - 5.6K $\Omega$ $\pm$ 5% 1/10W	17-172
1650 4624	Resistor - 620K $\Omega$ $\pm$ 5% 1/10W	17-173
1650 4750	Resistor - 75 $\Omega$ $\pm$ 5%1/10W	17-174
1650 4751	Resistor - 750 $\Omega$ $\pm$ 5% 1/10W	17-175
1653 1500	Resistor - 150 $\Omega$ $\pm$ 1% 1/8W	17-176
1653 3309	Resistor - 33 $\Omega$ $\pm$ 1% 1/8W	17-177
1653 3921	Resistor - 3.92K $\Omega$ $\pm$ 1% 1/8W	17-178
1653 7509	Resistor - 75 $\Omega$ $\pm$ 1% 1/8W	17-179
1654 1002	Resistor - 10K $\Omega$ $\pm$ 5%1/10W	17-180
1660 2101	Capacitor - 100pF - $\pm$ 10% - 50V	17-181
1660 2120	Capacitor - 12 pF $\pm$ 5% 50V	17-182

Part No.	Description	Page and Index No.
1660 2121	Capacitor - 120pF $\pm$ 5% 50V	17-183
1660 2150	Capacitor - 15pF $\pm$ 5% 50V	17-184
1660 2180	Capacitor 18pF $\pm$ 5% 50v	17-185
1660 2470	Capacitor - 47pF $\pm$ 5% 50V	17-186
1660 2471	Capacitor - 470pF - $\pm$ 5% - 50V	17-187
1660 4102	Capacitor - 1000pF $\pm$ 10% 50V	17-188
1660 4103	Capacitor - 10000pF - $\pm$ 10% - 50V	17-189
1660 4222	Capacitor - 2200pF - $\pm$ 10% - 50V	17-190
1660 4472	Capacitor - 4700PF $\pm$ 10% 50V	17-191
1660 8104	Capacitor - 0.1 $\mu$ F +80-20% 25V	17-192
1902 0042	Ram-1m X8 70ns Tsop G2	17-193

Part No.	Description	Page and Index No.
5442 1924	Exposure Glass Cushion	7- 2